

ELDAN Multi Purpose Rasper HD (160 / 200 / 240)

Up to 16 000 kg/h



MULTI PURPOSE RASPER HD (Heavy Duty)

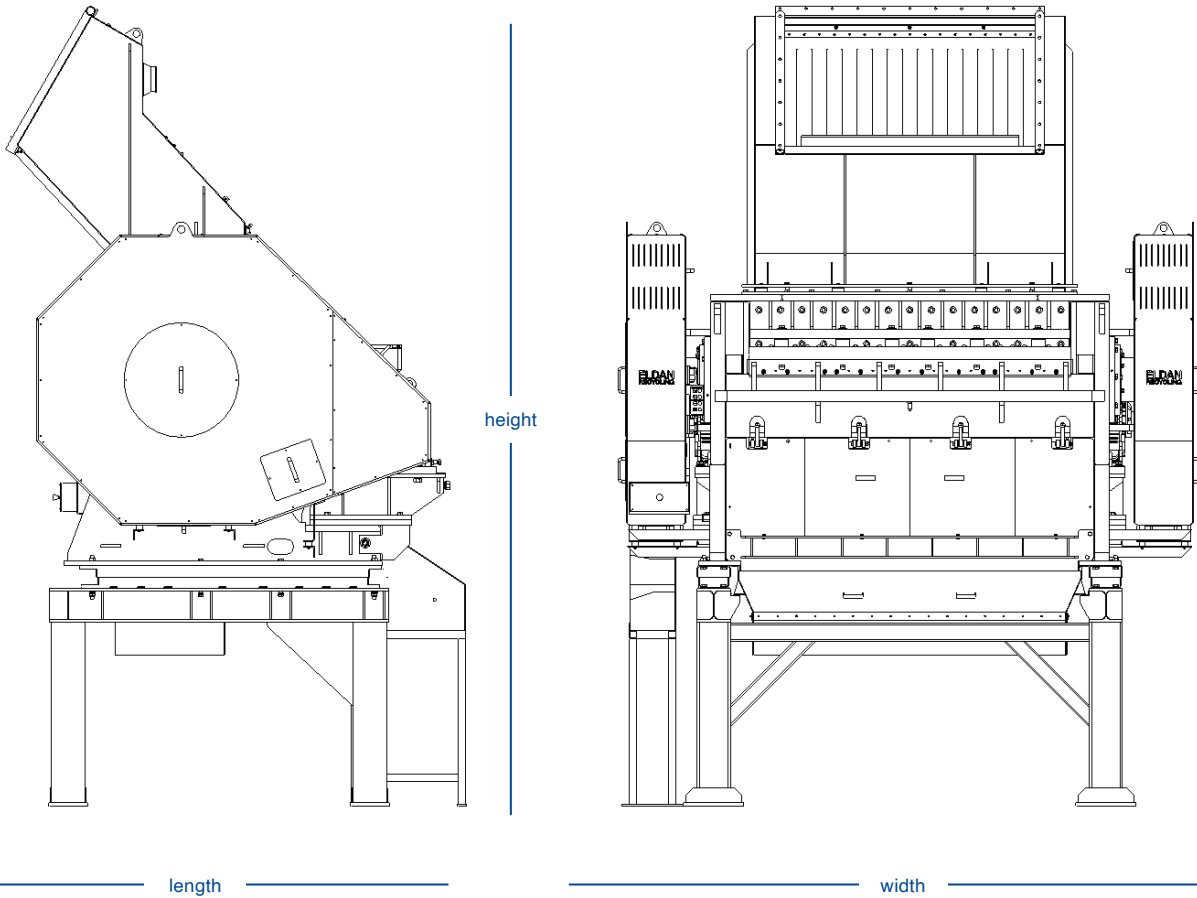
The ELDAN Multi Purpose Rasper HD is a heavy duty rasper for initial and secondary size reduction of materials like: tyres, steel cord cleaning, aluminium scrap (all types), cables, electronic and electrical waste (i.e. WEEE), refrigerators, industrial waste, oil filters, etc.

- High inertia from the flywheel ensures an even load on the machine, thus yielding a higher cutting power
- Friction clutches protect the machine from material overload
- Belt driv ensures a simple transmission
- Adjustable knife clearance optimizes the cutting function
- The knives can be reground multiple times on a “flat-bed” grinder ensuring long life and low operation costs
- Designed for quick and easy change of knives and screens
- The rotor is manufactured and designed for minimum wear
- Screens with different hole sizes are available for flexible production
- Exchangeable wear parts give you a virtually indestructible machine
- The MPR240HD is modified for recycling of tough material, e.g. ASCR cables



Watch the MPR
in action!

Multi Purpose Rasper HD



OPTIONAL FEATURE

The Multi Purpose Rasper HD can be delivered with frequency converter for added benefits:

- Starts up when fully loaded with material, reducing downtime after shutdown
- Enables adjustable rotor speed
- Reduced power supply costs
- Reduced power consumption by up to 40%

Technical Specifications	MPR160 HD	MPR200 HD	MPR240HD	Units (EN)
Motor	2 x 110 / 2 x 150	2 x 132 / 2 x 175		kW / hp
Rotor length	1600 / 64	2000 / 80	2400 / 95	mm / in
Rotor speed	125	125	125	rpm
Knives - flying	40	50	60	pcs
Knives - static	21	26	31	pcs
Capacity*	12000 / 26000	14000 / 31000	16000 / 35000	kg / lbs
Belt driven	Twin	Twin	Twin	
Weight	24000 / 53000	27000 / 59000	36000 / 79000	kg / lbs
Length	2800 / 110	2800 / 110	2800 / 110	mm / in
Width	3500 / 140	3900 / 155	4900 / 193	mm / in
Height	5300 / 210	5300 / 210	5410 / 213	mm / in

* Depending on type of input material, method of feeding and screen size
Standard voltage: 3 ph, 400 V, 50 Hz – for other voltages please contact our sales department

