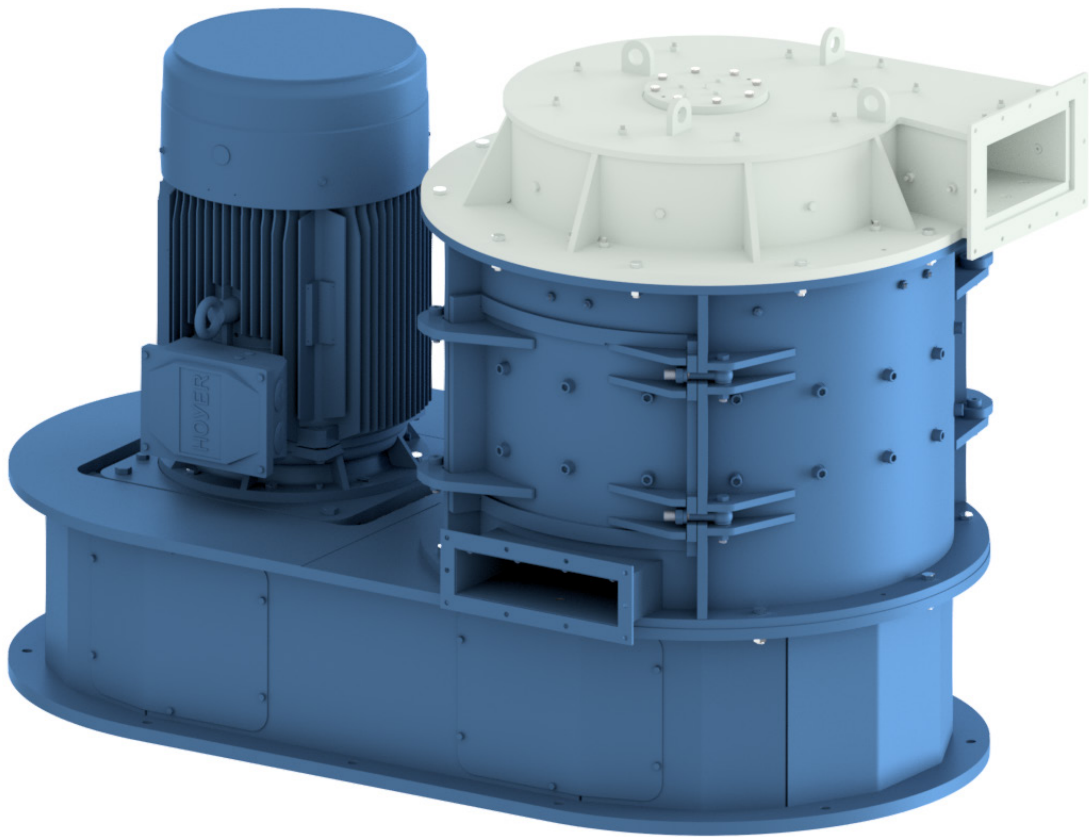


# ELDAN Turbo Mill

Up to 1500 kg/h

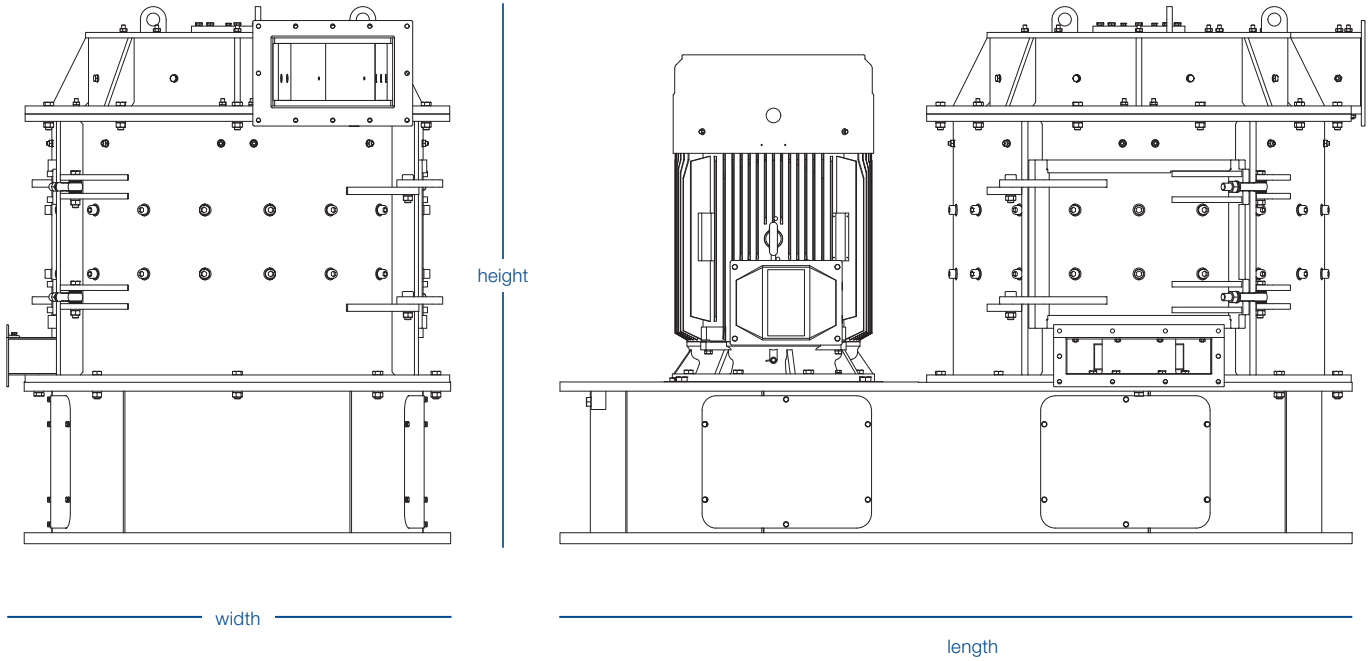


## TURBO MILL TM900

The ELDAN Turbo Mill TM900 is designed for recovery of metal fines and cleaning of plastic fractions. It is suitable for cleaning of plastics coming from cable and WEEE recycling plants.

- Compacts metal fines to ensure efficient sorting and a uniform product
- Belt drive ensures a simple transmission
- Designed for feeding by pneumatic material transport for a dust-free environment
- The impact blades can be turned once for low wear costs
- Easy access for maintenance and service
- The rotor is manufactured and designed for minimum wear
- Exchangeable HARDOX wear parts ensure a virtually indestructible machine

# Turbo Mill



Technical specifications	TM900	Units (EN/US)
Motor	90 / 120	kW / hp
Rotor diameter	900 / 35	mm / in
Rotor speed	1000	rpm
Impact blades	72	pcs
Capacity*	Up to 1500 / 3300	kg / lbs per production hour
Weight (approx.)	3200 / 7050	kg / lbs
Length	2190 / 86	mm / in
Width	1210 / 48	mm / in
Height	1460 / 58	mm / in

\* Depending on input  
Standard voltage: 3 ph, 400, 50 Hz – for other voltages please contact our sales department

