

# ELDAN Rasper R801-5 FH

Up to 2000 kg/h

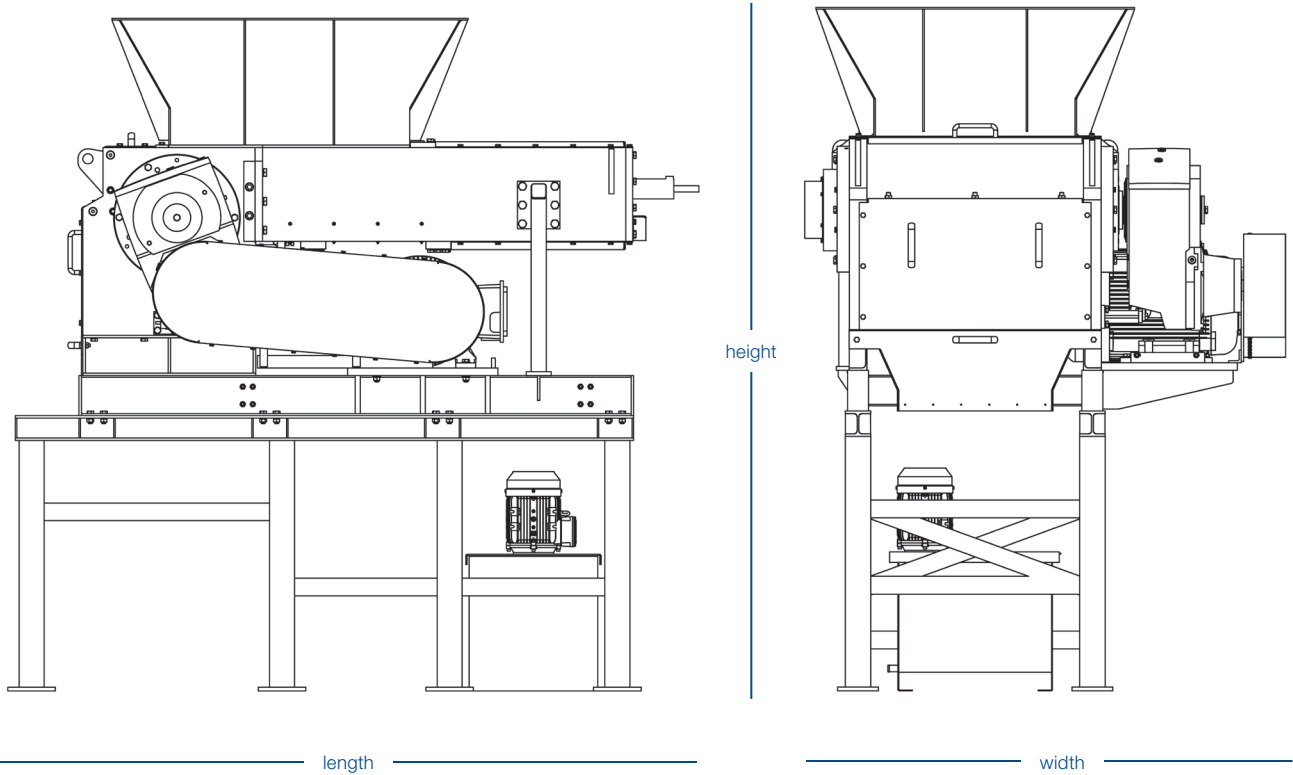


## RASPER R801-5 FH (Feeding Hopper)

The ELDAN Rasper R801-5 FH is used for primary size reduction of cables in low and medium capacity cable recycling plants.

- Designed with integrated feeding silo of approx. 1 m<sup>3</sup> for continuous feeding
- Hydraulic operated pusher for occasional assistance with feeding the cable to the rotor
- Automatic reverse of rotor when overloaded
- Adjustable knife clearance optimizes the cutting function
- Static knives can be reground multiple times and flying knives can be turned once, ensuring long life and low operation costs
- Designed for quick and easy change of knives and screens
- The rotor is manufactured and designed for minimum wear
- Wear resistant screens with different hole sizes available for flexible production
- Exchangeable wear parts ensure a virtually indestructible machine

# Rasper R801-5 FH



Technical specifications	R801-5 FH	Units (EN/US)
Motor	37 / 50	kW / hp
Hydraulic pusher	4 / 5,5	kW / hp
Rotor length	800 / 32	mm / in
Rotor diameter	400 / 16	mm / in
Rotor speed	115	rpm
Knives - flying	80	pcs
Knives - static	2	pcs
Capacity*	Up to 2000 / 4400	kg / lbs per production hour
Weight (approx.)	5100 / 11250	kg / lbs
Length	2760 / 109	mm / in
Width	1890 / 75	mm / in
Height	2690 / 106	mm / in

\* Depending on input, method of feeding and screen size  
 Standard voltage: 3 ph, 400, 50 Hz – for other voltages please contact our sales department

