

ELDAN UBC Recycling System

Up to 6000 kg/h



TURN CANS INTO CASH

The Eldan Recycling System for UBC (Used Beverage Cans) is designed for processing loose or baled aluminium cans to be used as an alternative to virgin aluminium.

Aluminium is used in many modern products like pots and pans, building materials and beverage cans. By recycling the aluminium in the UBC, up to 95% of the energy used in production can be reduced compared to production with virgin aluminium, proving aluminium recycling a profitable business!

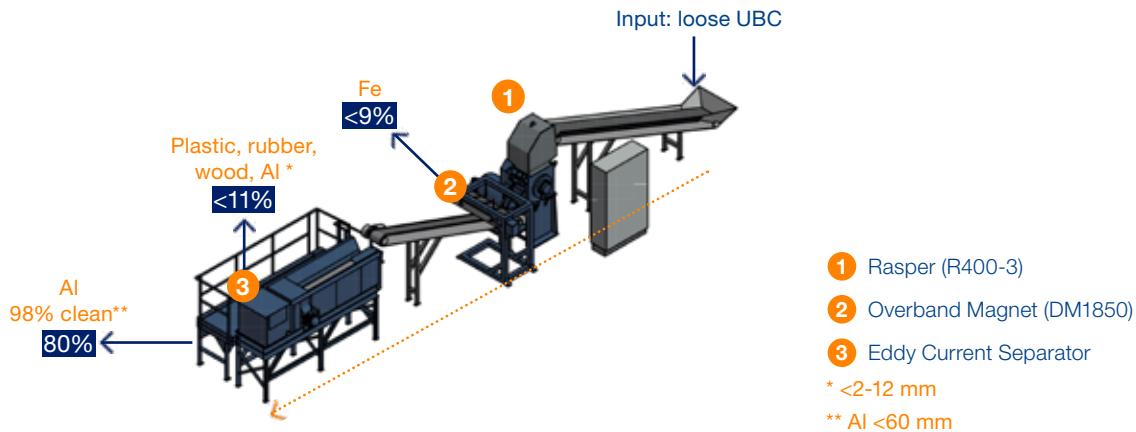
To ensure the product is pure, the cans can be downsized with the Eldan UBC Recycling System where ferrous metals, zinc, brass, organics, etc. is removed from the aluminium fraction. Furthermore, the density of the processed aluminium is higher, thus reducing the transportation costs.

Depending on the specific customer requirements, the Eldan UBC Recycling System can be tailored to fit the demand. The modular build enables the possibility of upscaling production in the future.



UBC Recycling System

Example of **low capacity UBC recycling system** (up to 500 kg/h)



Technical specifications	UBC Recycling System	Units (EN/US)
Input	• Loose UBCs	
Capacity	Up to 500 / 1.100	kg / lbs per production hour
Output material	<ul style="list-style-type: none"> • Aluminium • Organics • Ferrous • Zinc • Brass • Others - stones etc 	

Standard voltage: 3 ph, 400 V, 50 Hz - for other voltages please contact our sales department
 * Depending on type of input material and method of feeding

Example of **high capacity UBC recycling system** (up to 6.000 kg/h)



Technical specifications	UBC Recycling System	Units (EN/US)
Input (length x width x height)	<ul style="list-style-type: none"> • Baled UBCs (up to max. 500 x 500 x 600 to 1.200 / 20 x 20 x 24 to 48) • Loose UBCs 	mm / in
Capacity	Up to 6.000 / 13.200	kg / lbs per production hour
Output material	<ul style="list-style-type: none"> • Aluminium • Organics • Ferrous • Zinc • Brass • Others - stones, etc 	

Standard voltage: 3 ph, 400 V, 50 Hz - for other voltages please contact our sales department
 * Depending on type of input material and method of feeding

