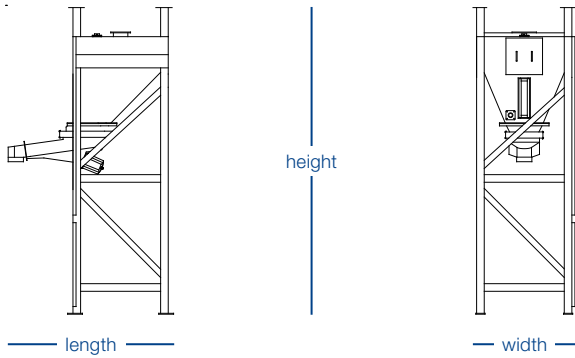


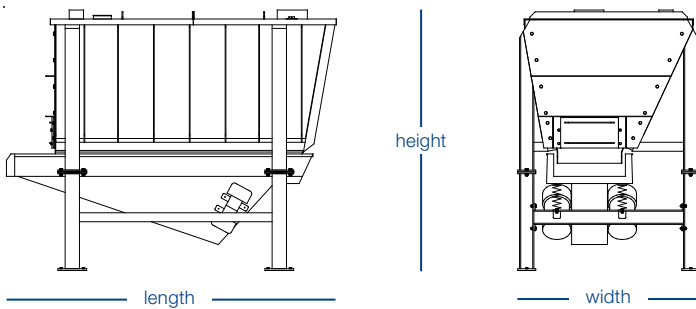
# ELDAN Silos

## ELDAN Silos

Eldan offer a number of different silos, all with the purpose of optimizing the material flow through the plants.



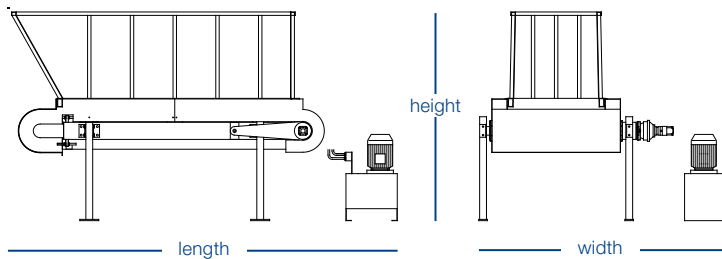
Specifications	SMV040	SMV080
Motor	0.4 kW	0.92 kW
Volume	1 m <sup>3</sup>	1 m <sup>3</sup>
Working principle	Silo with vibrating conveyor	Silo with vibrating conveyor
Weight	Approx. 800 kg	Approx. 1000 kg
Length x width x height	2100 x 1300 x 3700 mm	2100 x depend on application x depend on application mm
Outlet	Ø200 mm	Ø400 mm



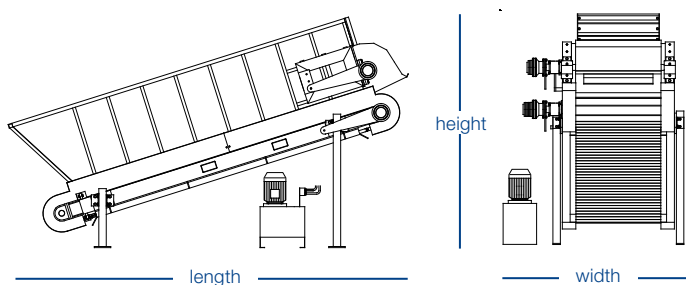
Specifications	V2	V4
Motor	2 x 1.2 kW	2 x 1.2 kW
Volume	2 m <sup>3</sup>	4 m <sup>3</sup>
Working principle	Silo with vibrating conveyor	Silo with vibrating conveyor
Weight	Approx. 1800 kg	Approx. 2000 kg
Length x width x height	3700 x 2050 x 3400 mm	3700 x 2050 x 3900 mm



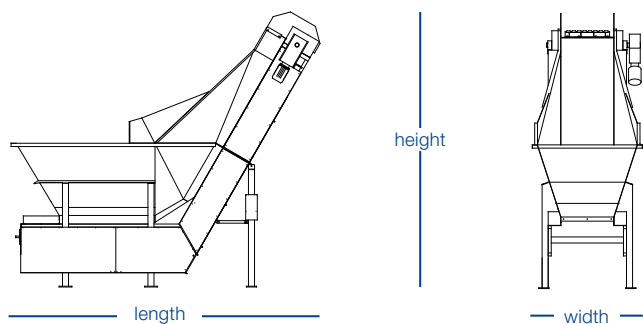
# Silos



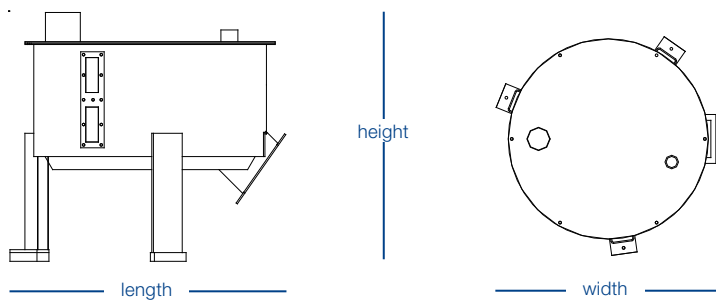
Specifications	BF3.0
Motor	5.5 kW
Volume	3 m <sup>3</sup>
Working principle	Hydraulic driven steel belt
Weight	Approx. 4000 kg
Length x width x height	3700 x 2300 x 2600 mm



Specifications	BFS5
Motor	15 kW
Volume	5 m <sup>3</sup>
Working principle	Hydraulic driven steel belt and drum
Weight	Approx. 5000 kg
Length x width x height	5400 x 2200 x 3100 mm



Specifications	TBF
Motor	4.4 kW
Volume	5 m <sup>3</sup>
Working principle	Mechanical driven steel belt with carriers
Weight	Approx. 6000 kg
Length x width x height	6000 x 2900 x 5300 mm



Specifications	FB200
Motor	0.75 kW
Volume	0.2 m <sup>3</sup>
Working principle	Cylindrical vessel with agitator
Weight	Approx. 300 kg
Diameter x height	900 x 750 mm

