

# ELDAN Ring Shredders

Up to 7000 kg/h



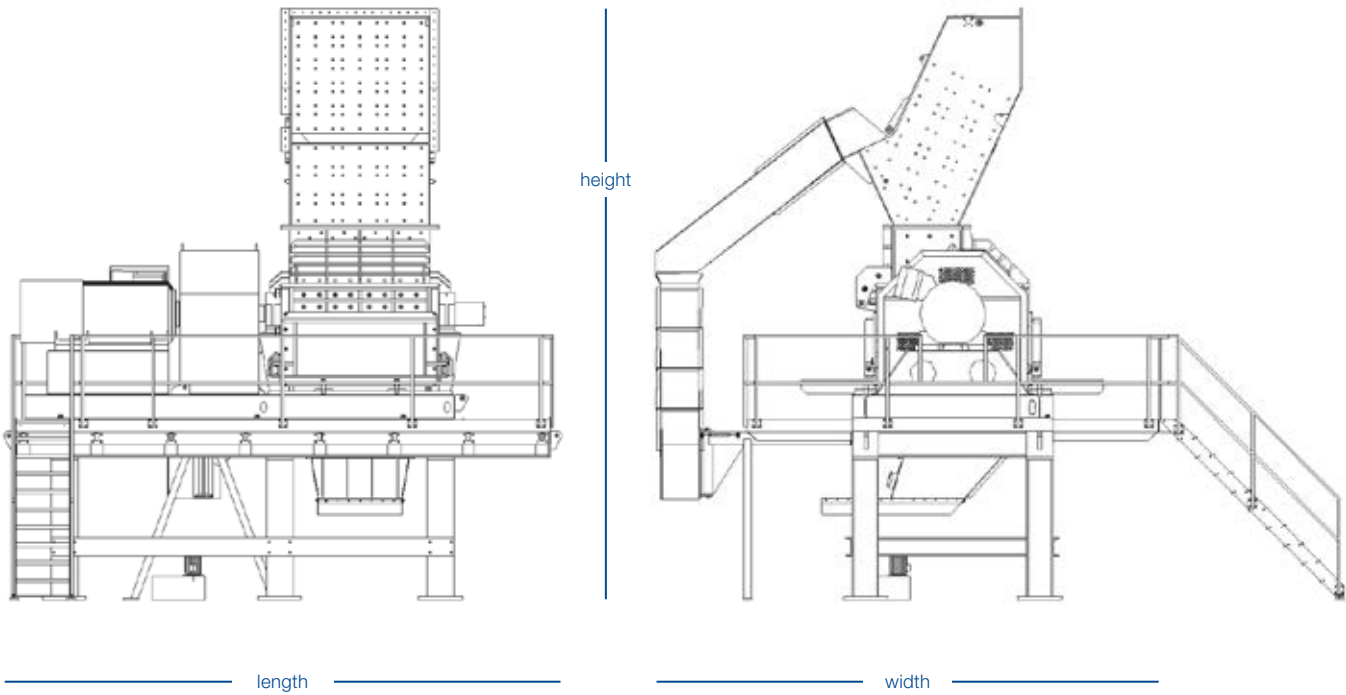
## RING SHREDDERS

The ELDAN Ring Shredders are the optimum solution for size reduction of light scrap such as: electronic and electrical waste (i.e. WEEE), aluminium, small electric motors, starters, non-ferrous fractions from car shredders, etc.

- Impact rings ensure opening of material and liberation of metals
- The hydraulic clutch enables the torque to be transmitted smoothly from the rotor, also absorbing any shock
- Impact rings are mounted on 4 secondary shafts on the rotor
- Hydraulically opening of grate retainers, enabling easy exchange of grates
- Grates with different hole sizes are available for flexible production
- Exchangeable wear parts give you a virtually indestructible machine
- Hydraulically opening of upper part for easy access to the rotor for inspection and service



# Ring Shredders



## OPTIONAL FEATURE

The Ring Shredder can be delivered with frequency converter for added benefits:

- Enables adjustable rotor speed
- Reduced power supply costs
- Reduced power consumption by up to 50%

Technical specifications	S1000	S1500	Units (EN/US)
Motor	250 / 335	400 / 535	kW / hp
Motor speed	990	990	rpm
Motor for maintenance	3,0 / 4,0	5,5 / 7,4	kW / hp
Rotor length	1000 / 40	1500 / 60	mm / in
Rotor diameter	700 / 28	890 / 36	mm / in
Impact rings	28	36	pcs
Grate sections	5	5	pcs
Capacity*	Up to 4000 / 8800	Up to 7000 / 15400	kg/ lbs per production hour
Weight	25000 / 55000	35000 / 77000	kg / lbs
Length**	5500 / 217	5800 / 230	mm / in
Width**	6200 / 245	6400 / 252	mm / in
Height**	6300 / 249	6800 / 268	mm / in

Standard voltage: 3 ph, 400 V, 50 Hz - for other voltages please contact our sales department

\* Depending on type of input material, method of feeding, and grate size

\*\* Not including stairs

