

Up to 950 kg/h



POWERKAT B (PK B)

A modular cable recycling plant with an excellent price/performance ratio made for tough conditions with low investment costs at an overall low cost of ownership.

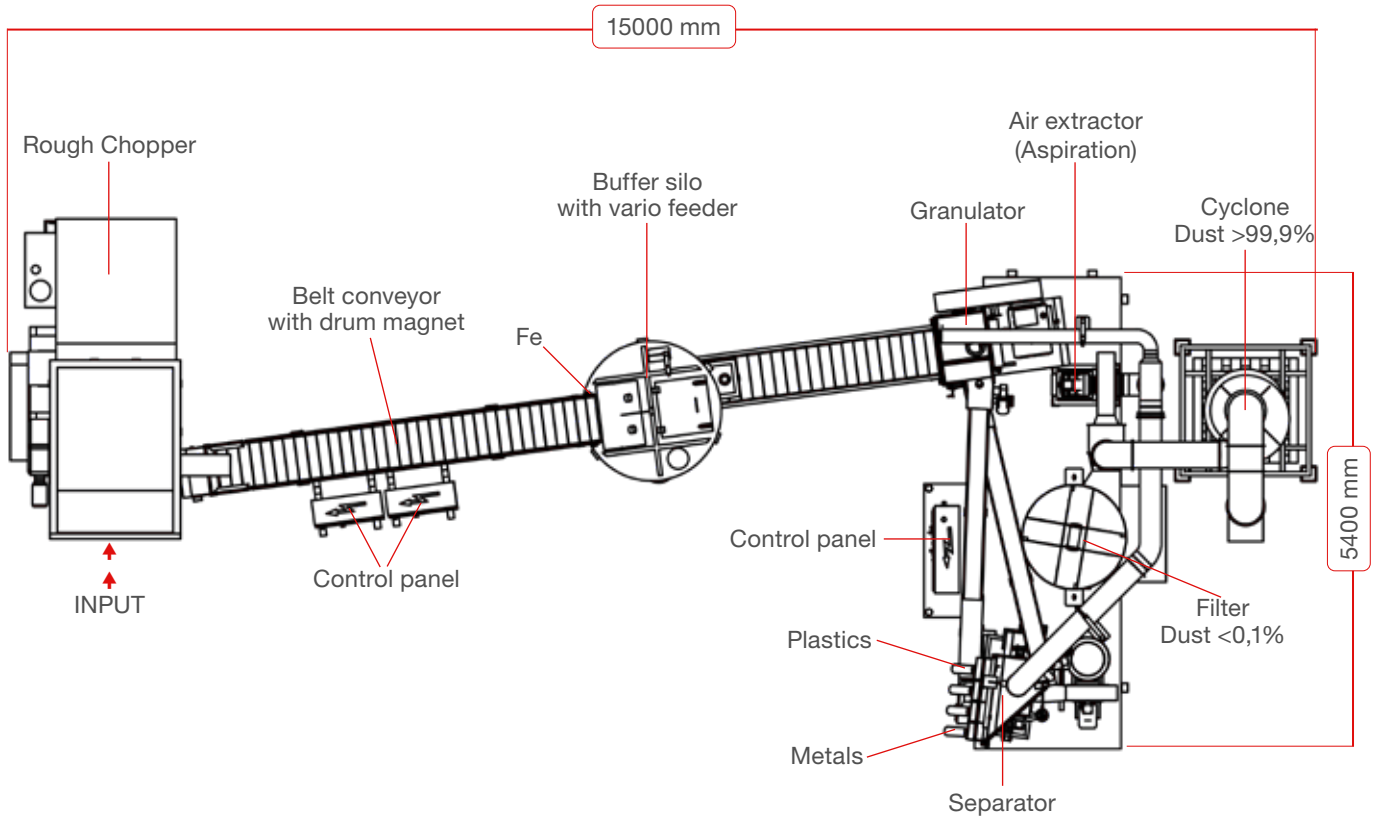
The Powerkat B (PK B) typically has a capacity of 825 kg/h for cable with a Cu content of 50-60% (capacity depending on type of cable).

- Suitable for all types of dry cable (up to 2 mm steel reinforcement)
- Cable coils and bundles can be fed into the Rough Chopper
- Cable diameter max. 100 mm, length max. 1000 mm
- Suitable for forklift or crane feeding
- Rough Chopper including hard metal knife system, hydraulic pusher, automatic buffer feeding
- Buffer Silo between Rough Chopper and Granulator, increasing overall capacity and ensuring efficient separation
- Granulators with wear plates of HARDOX
- Filter with a Pre-Cyclone improving working environment
- Metal purity: minimum 99.5%
- For additional steel removal: optional belt conveyor with drum magnet after Separation Table

The PK B can be upgraded to a Turbo version by using a 45-kW Granulator instead, increasing the capacity up to 950 kg/h for cable with a Cu content of 50-60% (capacity depending on type of cable).



Powerkat B



Technical Specifications Main machines	Powerkat B	Powerkat B Turbo	Dimensions Units (EN)
Rough chopper MRC45-1350 with hydraulic pusher	45+4	45+4	kW
Rotor knives	108	108	pcs
Fixed knives	4	4	pcs
Hopper volume	2	2	m ³
Belt conveyor with drum magnet for steel removal	0.55	0.55	kW
Buffer silo with variable speed screw conveyor	2 x 1.5	2 x 1.5	kW
Volume	1.8	1.8	m ²
Granulator GR37-500	37	-	kW
Granulator GR45-660	-	45	kW
Rotor knives	5	2 x 5	pcs
Fixed knives	2	2	pcs
Belt conveyor	0.37	0.37	kW
Separator SE40 with electronic speed regulation, blower	0.55 + 3.0	0.55 + 3.0	kW
Deck area	0.4	0.4	m ²
Air extractor (aspiration)	7.5	7.5	kW
Air amount	4500	4500	m ³ /h
Dust cyclone with rotary valve	0.55	0.55	kW
18 Filterbags, vibration motor	0.18	0.18	kW
Total installed power	105	115	kW
Weight, approx.	14.000	14.700	kg
Maximum infeed capacity*	825	950	kg/h

*Based on cable with copper content of 50-60%

Additional equipment for recovery of fines from the plastic is available on request

With reservation for technical alterations

