

ELDAN Multi Purpose Rasper HD

Up to 14000 kg/h



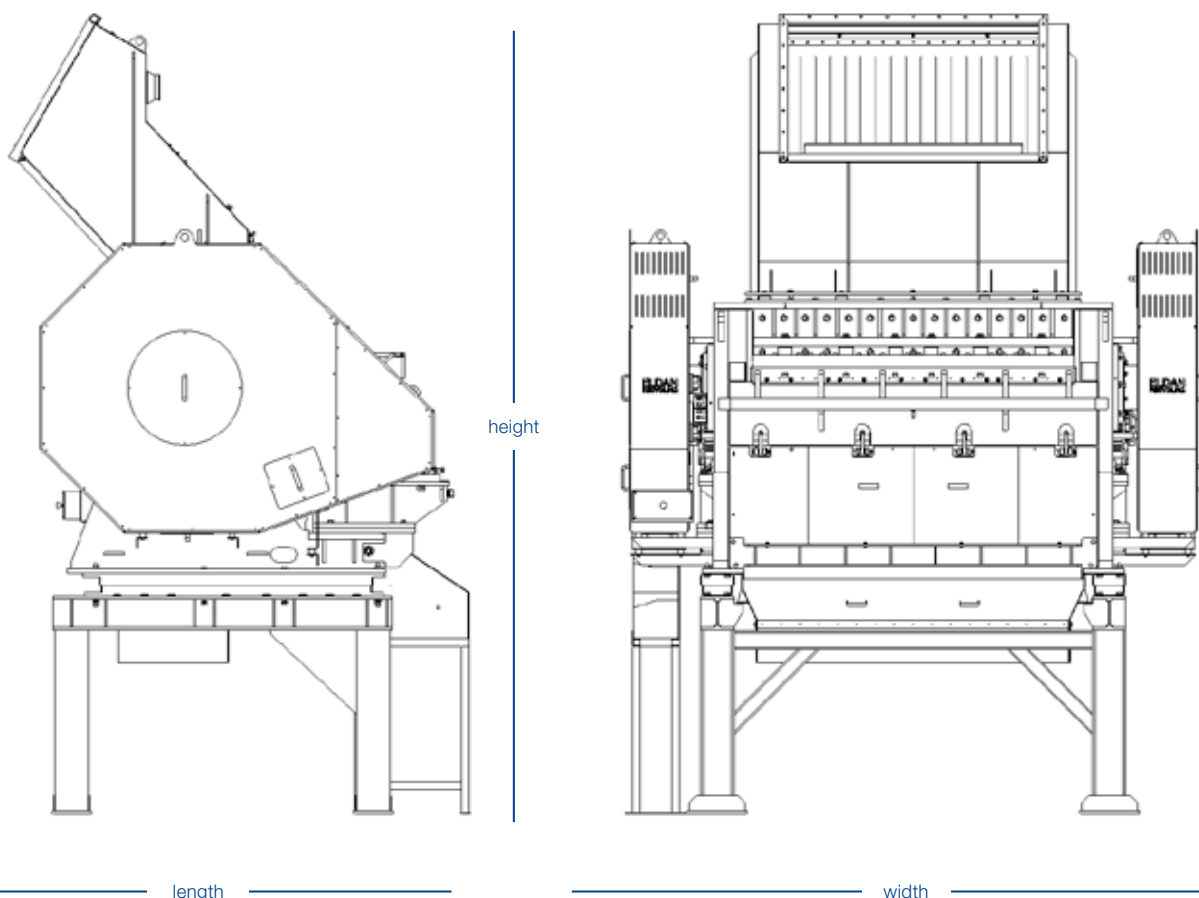
MULTI PURPOSE RASPER HD (heavy duty)

The ELDAN Multi Purpose Rasper HD is a heavy duty rasper for initial and secondary size reduction of materials like: tyres, steel cord cleaning, aluminium scrap (all types), cables, electronic and electrical waste (i.e. WEEE), refrigerators, industrial waste, oil filters, etc.

- High inertia from the flywheel ensures an even load on the machine, thus yielding a higher cutting power
- Friction clutches protect the machine from material overload
- Belt driv ensures a simple transmission
- Adjustable knife clearance optimizes the cutting function
- The knives can be reground multiple times on a “flat-bed” grinder ensuring long life and low operation costs
- Designed for quick and easy change of knives and screens
- The rotor is manufactured and designed for minimum wear
- Screens with different hole sizes are available for flexible production
- Exchangeable wear parts give you a virtually indestructible machine



Multi Purpose Rasper HD



OPTIONAL FEATURE

The Multi Purpose Rasper HD can be delivered with frequency converter for added benefits:

- Starts up when fully loaded with material, reducing downtime after shutdown
- Enables adjustable rotor speed
- Reduced power supply costs
- Reduced power consumption by up to 40%

Technical Specifications	MPR160 HD	MPR200 HD	Units (EN)
Motor	2 x 110 / 2 x 150	2 x 132 / 2 x 175	kW / hp
Rotor length	1600 / 64	2000 / 80	mm / in
Rotor speed	125	125	rpm
Knives - flying	40	50	pcs
Knives - static	21	26	pcs
Capacity*	12000 / 26000	14000 / 31000	kg / lbs
Belt driven	Twin	Twin	
Weight	24000 / 53000	27000 / 59000	kg / lbs
Length	2800 / 110	2800 / 110	mm / in
Width	3500 / 140	3900 / 155	mm / in
Height	5300 / 210	5300 / 210	mm / in
Opening to cutting chamber	750 x 1600 / 30 x 64	750 x 2000 / 30 x 80	mm / in

* Depending on type of input material, method of feeding and screen size
Standard voltage: 3 ph, 400 V, 50 Hz – for other voltages please contact our sales department

