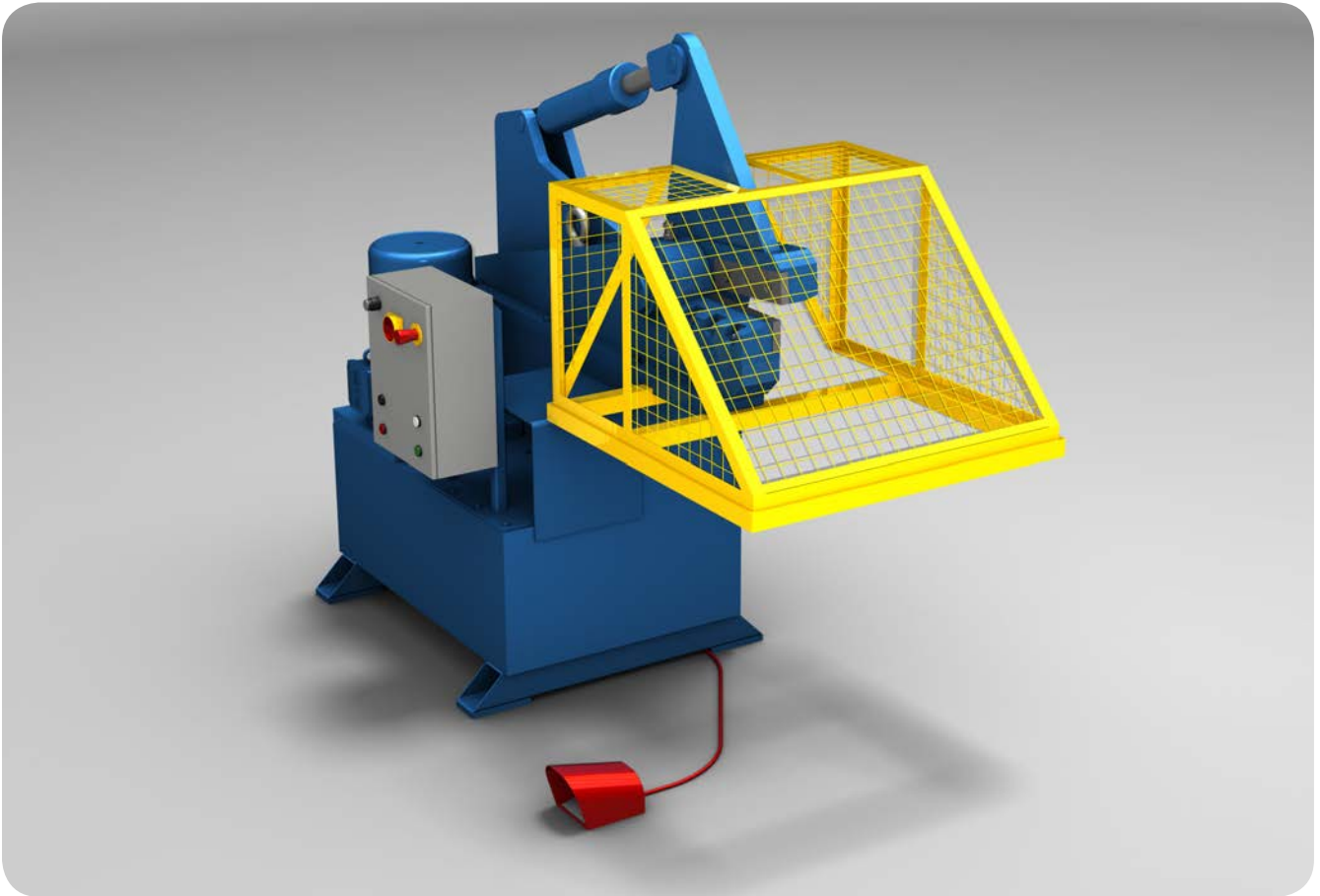


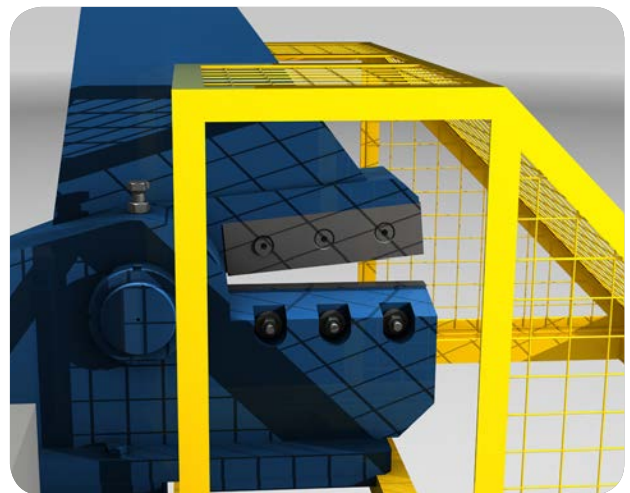


Eldan Alligator Shear



Eldan Alligator Shear is a heavy duty hydraulic metal and cable shear. It is designed to cut e.g.:

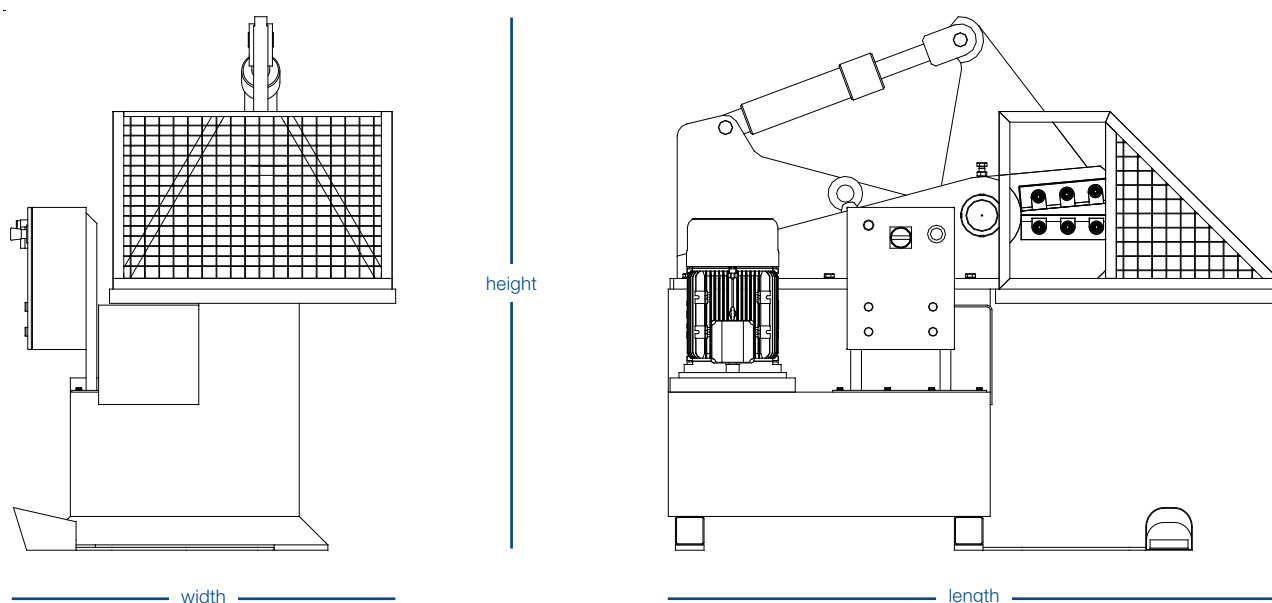
- Metal bars and rods
- Light and heavy electrical cables
- Coils and bundles of insulated and non-insulated wires and other types of items
- Scrap from bare metals or mixed with plastic
- Etc



Adjustable gap size of max 160/50 mm.

Features

- Cutting power is 40 ton making it suitable for more demanding materials
- The machine is operated by a foot pedal, making it easy to operate
- Adjustable gap opening to optimize the cutting
- Turnable knives, i.e. 4 cutting edges, maximize time between knife changes



Technical Specifications	Alligator Shear M10
Gap height	Max. 160/50 mm (adjustable)
Knife length	250 mm (turnable, 4 cutting edges)
Motor	11 kW
Cutting power	40 000 kg
Weight	Approx. 950 kg (excl. hydraulic oil)
Length x width x height	1715 x 1076 x 1501 mm
Hydraulic oil	170 l

Standard voltage: 3 ph, 400, 50 Hz – for other voltages please contact our sales department

First choice in recycling equipment