



Eldan ACSR Shear M16-2



"Chops and separates ACSR Cables at over 50 meters per minute."

Eldan ACSR Shear M16-2

The Eldan ACSR* Shear is a reliable Shear designed for size reduction (into 10-150 mm pieces) and separation of:

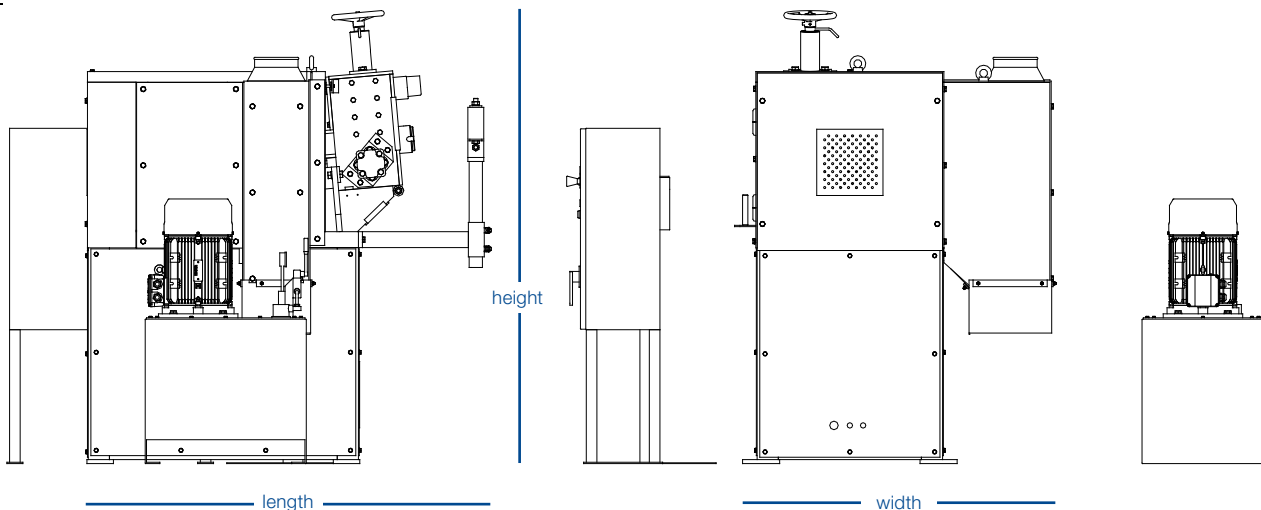
- ACSR Cable



** Aluminium Cable Steel Reinforced*

Features

- The machine consists of a feeding system and a cutting unit
- Easy feeding
- The feeding system consists of a machine frame in which 2 adjustable feed rollers are mounted
- Operates with one flying and one static knife
- The flying knife operates at a constant speed, i.e. the cutting length is determined by the feed rate of the cable
- Safe and simple to operate
- Easy maintenance means low maintenance costs
- Little downtime
- To prevent aluminium from melting and sticking to the knives, the machine is equipped with a cooling water system to keep the cable and knives constantly moist
- It is possible to install an outlet conveyor fitted with overband magnet in connection with the ACSR Shear to ensure separation of the steel from the aluminium



Technical Specifications	ACSR Shear M16-2
Capacity	Up to 4-60 m/min
Chopping speed	400 cuts/min
Chopping length	10-150 mm
Cable diameter*	10-50 mm
Knives	1 flying, 1 static
Feeding power	7,5 kW
Cutting power	30 kW
Weight	Approx. 1800 kg
Length x width x height	1550 x 1200 x 1700 mm

Standard voltage: 3 ph, 400 V, 50 Hz*** - For other voltages please contact our sales department

* Max. diameter will depend on the content and hardness of the steel cores