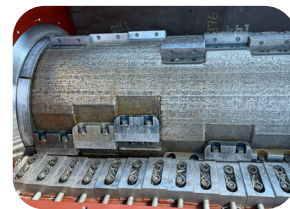
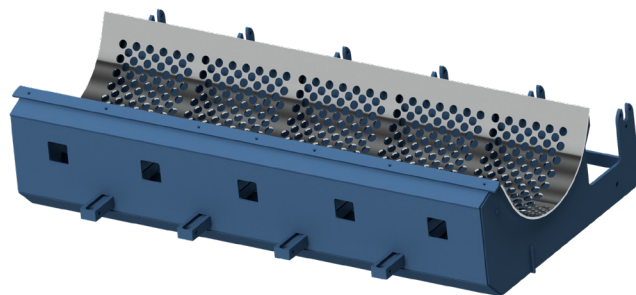
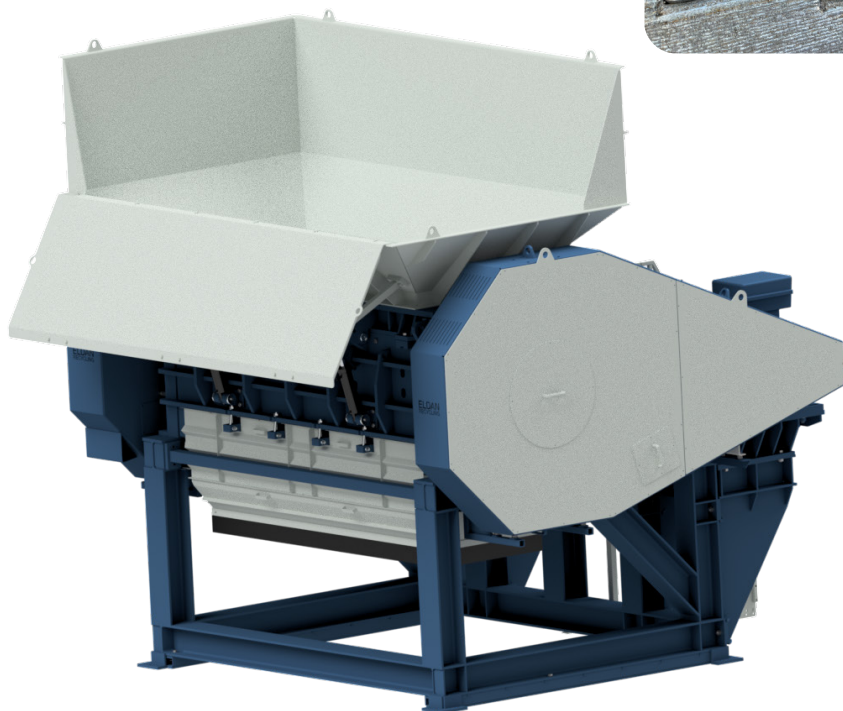


# ELDAN Heavy Duty Granulator (HDG 160 / 200 / 240)

Up to 12 000 kg/h



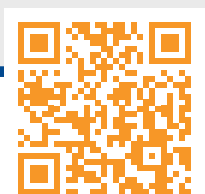
Modified knife system for tough material



Screens with different hole sizes are available

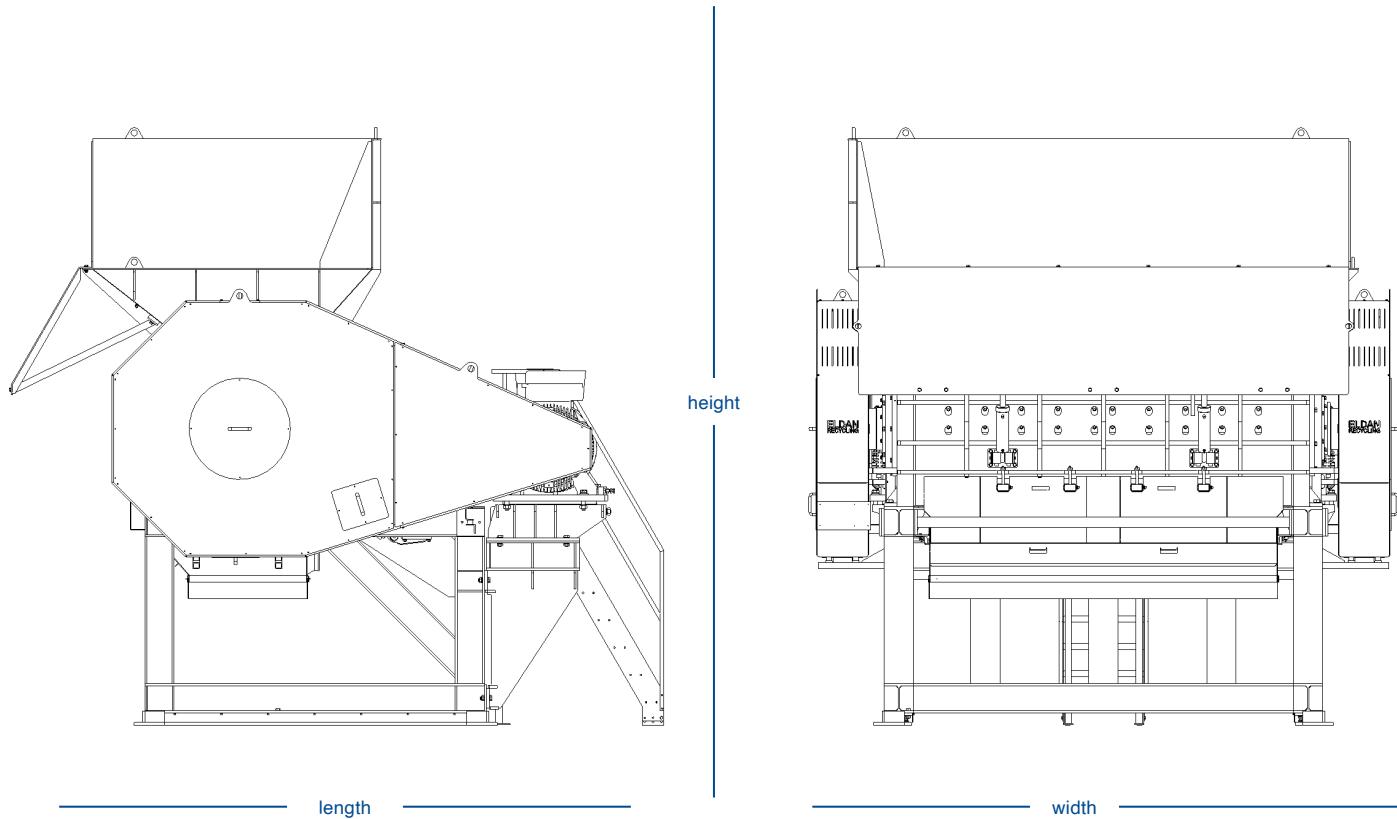
The ELDAN Heavy Duty Granulator (HDG240) is a granulator modified for recycling of tough material, e.g. ASCR cables, low-grade cables with some impurities, electronic waste, non-ferrous metals, refrigerators, industrial waste, etc. The new knife system with rotary knives/knife holders integrated with the rotor makes a solid foundation for resistance towards heavy objects. The knives are straight and can be used on all four sides and easy to grind. Friction clutches protect the machine from material overload

- Belt drive ensures a simple transmission.
- Adjustable knife clearance optimizes the cutting function.
- The knives can be reground multiple times on a "flat-bed" grinder ensuring long life and low operation costs.
- Designed for quick and easy change of knives and screens.
- The rotor is manufactured and designed for minimum wear with hard-face welding.
- Screens with different hole sizes are available for flexible production.
- Five pieces of screens per set and interchangeable depending on wear.
- Exchangeable wear parts give you a virtually indestructible machine.



Watch the HDG  
in action!

# ELDAN Heavy Duty Granulator (HDG 160 / 200 / 240)



## OPTIONAL FEATURE

The Heavy Duty Granulator (HDG) can be delivered with a frequency converter for added benefits:

- Starts up when fully loaded with material, reducing downtime after shutdown
- Enables adjustable rotor speed
- Reduced power supply costs
- Reduced power consumption by up to 40%

Technical Specifications	HDG160	HDG200	HDG240	Units (EN)
Motor	2 x 110 / 2 x 150	2 x 132 / 2 x 175	2 x 160 / 2 x 217	kW / hp
Rotor length	1600 / 64	2000 / 80	2400 / 95	mm / in
Rotor speed	125	125	125	rpm
Knives - flying	40	48	60	pcs
Knives - static	21	26	31	pcs
Capacity*	8500 / 19000	10000 / 22000	12000 / 26000	kg / lbs
Belt driven	Twin	Twin	Twin	
Weight	24000 / 53000	27000 / 59000	36000 / 79000	kg / lbs
Length	2800 / 110	2800 / 110	2800 / 110	mm / in
Width	3500 / 140	3900 / 155	4900 / 193	mm / in
Height	5300 / 210	5300 / 210	5410 / 213	mm / in
Opening to cutting chamber	750 x 1600 / 30 x 64	750 x 2000 / 30 x 80	1060 x 2465 / 42 x 97	mm / in

\* Depending on type of input material, method of feeding and screen size  
Standard voltage: 3 ph, 400 V, 50 Hz – for other voltages please contact our sales department

